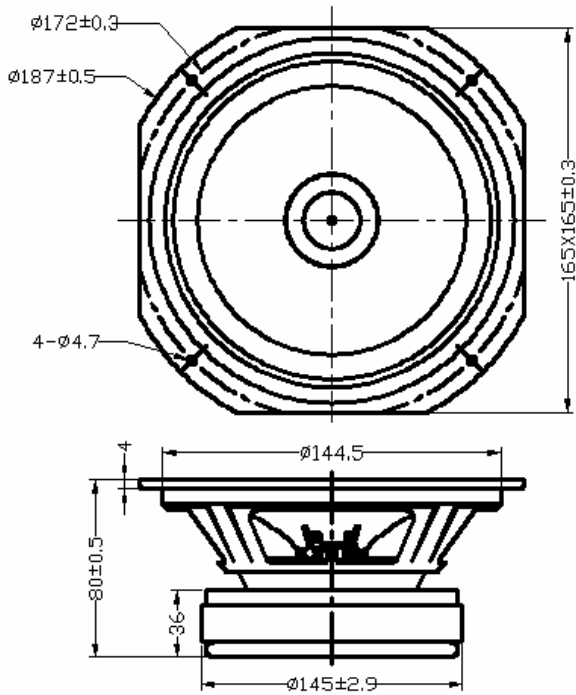


6.5" FULL RANGE

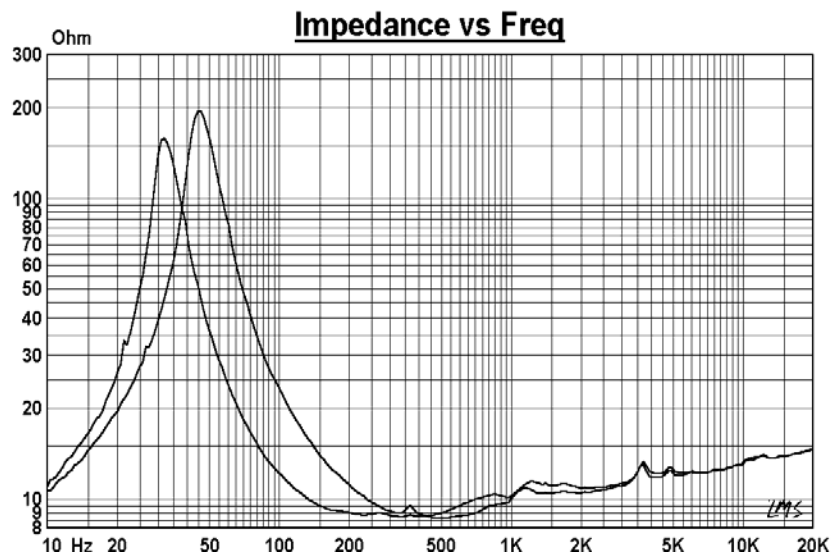
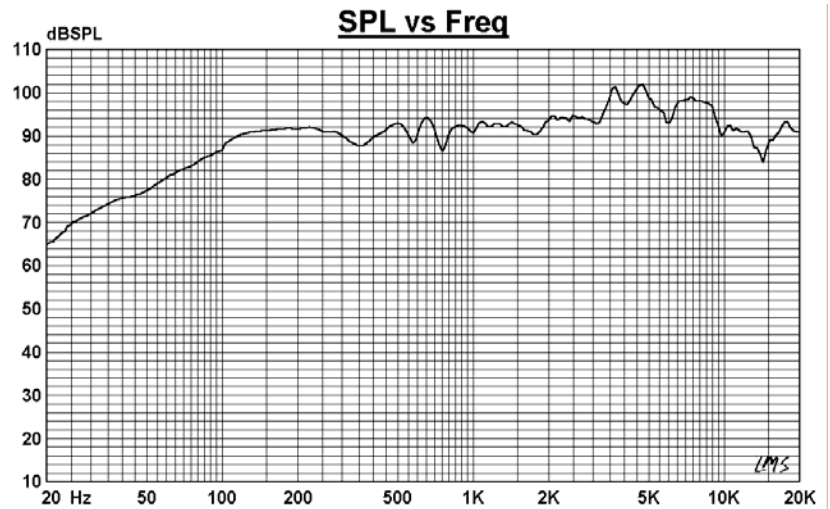


Model :FB166B8-11F



Specifications & Thiele/Small Parameters

Impedance	: 8 Ohm
Minimum Frequency Response	: 47Hz
Reproduction Frequency Response	: Fo~20K
S.P.L.	: 94.365 dB/W(m)
Rated Input	: 30 W
Music Power	: 40 W
Equivalent Diaphragm Radius	: 64mm
Equivalent Mass	: 7.079g
Magnet Weight	: 1455 g
Net Weight	: 3435g
Fs	: 47.765Hz
Re	: 7.2 Ohm
Mms	: 7.921g
BL	: 9.175 TM
Qts	: 0.196
Qms	: 5.26
Qes	: 0.203
Vas	: 33.120 Ltr
Xmax	: 1.0mm
no	: 1.717%
Material	Frame : Fe
	Cone : PAPER
	Surround : FABRIC
	Damper : CONEX
	VC DIA : 1.2"
	Magnet : 51.3 oz



OEM & ODM WELCOME

GUI-SOUND ELECTRONICS INDUSTRIAL CO., LTD

<http://www.gui-sound.com> E-mail: sales@gui-sound.com